

# Jahabow

JAHABOW HAS BEEN MAKING MERCHANDISING FIXTURES THAT ENGAGE, DRIVE AFFINITY AND MOVE PRODUCT FOR OVER 40+ YEARS. OUR CAPABILITIES ARE NOT LIMITED BY MEDIUM, CUSTOMER SIZE OR DELIVERY DEMANDS.



Our goal is to get a better understanding of your merchandising challenges and help generate stronger retail results for your products.

**Call to receive a free customized quote for all your display fixture needs.**

**Jahabow** YOUR PRODUCTS  
OUR MERCHANDISING EXPERTISE  
IN-SYCHE RESULTS



1004 Industrial Drive | Owensville, MO 65066 | 1.800.325.8310 | 573.437.4151 | Fax: 800.367.7469

Jahabow.com

**Standard Specifications** .....page 2

**General Terms & Conditions** .....page 2

**Jewelry Display Cases** .....page 3

    Hexagonal Pedestal Case

    Flush Base Hexagonal Display Case

    Pedestal Jewelry Case Series

    Jewelry Showcase

**Half Vision Display Cases** .....page 4

**Full Vision Display Cases** .....page 4

    Full Vision Case Series

    Front Opening Case Series

**Extra Vision Display Cases** .....page 5

    Extra Vision Case Series

**Corner Display Cases** .....page 5

    Corner Case Series

    Rear Access Corner Series

**Slimline Tower Display Cases** .....page 6

    Slimline Revolving Series – Lighted

    Slimline Stationary Series – Unlighted

    Slimline All Glass Series

**Fineline Towers** .....page 7

    Fineline Series

    Museum Series

    Elongated/Stretch Hex

    Counter Top Displays

**Wall Display Cases** .....page 8

    Wall Cases – No Drawers

    Wall Cases – 2 Drawers

**Upright Display Cases** .....page 9

    Upright Display with LPL Base and Kick

    Upright Aisle Display with Black LPL Base

**Gondolas** .....page 10

    Standard Gondola Series

**Wrap Counters/Register Stands** .....page 10-11

    Ledge Counter Series

    Wrap Counter Series

    Flat Top Register Stands

    Well Top Register Stands

**Display Tables** .....page 11

**Counter Display Cases & Accessories** .....page 12

    Utility Case Series

    FC Series Counter Cases

    TC Series Counter Cases

    Mirror Series

**UL Wired Cabinet Electrical Options** .....page 13

**UL Listed Showcase Lighting Systems** .....page 14

**Optional Accessories** .....page 15

**9000 Series** .....page 15-Back Cover

    Full Vision Showcases, Jewelry or 1/3rd Vision Showcases,  
    Half Vision Showcases, Wrap Counters, Wall Units, Upright Displays,  
    Corner Fillers, Register Stands, Open Sellers. Island Gondolas,  
    Fluorescent Lights

**STANDARD SPECIFICATIONS**

**GLASS** – Modular: ¼" annealed float tops; 3/16" annealed float fronts and ends  
 Shelving: ¼" annealed float  
 (Tempered, safety-laminated glass or Lexan® available by quote)  
 Fineline Series features 1/8" tempered glass exterior, 3/16" Tempered Glass Doors

**ALUMINUM FRAME EXTRUSION** – **Standard Series Showcases** – Brushed Clear Anodized Aluminum  
**Options:** Polished Clear, Polished Brass Anodized Finishes, Powdercoat finishes available by quote  
**Fineline Towers** –Brushed Clear, Polished Brass and Polished Clear, Satin Black Anodized Aluminum framing.

**STANDARD LAMINATES** – Bases; Backs and Doors: Low Pressure Laminates (LPL) – Oak, Maple, Walnut, Cherry, Bright White, Antique White or Black  
 (except where "HPL" is specified)  
 Kicks: Black LPL with aluminum corner construction  
 (High Pressure Laminates (HPL), Accent Mirror, or Acrylic surfaces available by quote.)  
 Solid surface tops available by quote

Self-Edge Corner treatment with HPL available by quote unless otherwise noted.

**GENERAL TERMS & CONDITIONS**

This price list supercedes and cancels all previous lists.	All orders subject to factory acceptance	Prices subject to change without notice
All shipments F.O.B. Factory	No returns without prior factory approval	Effective 1/1/2016
For transit damage – claims to be filed with carrier	Returns may be subject to restocking charge	
Prices include standard crating, custom wood crating available by quote	Cancellation of orders in-process subject to charge.	
	Terms: Net 30 days. Date of invoice, with approved credit.	All Dimensions Nominal

Due to ongoing improvements in product function and design – product specification subject to change.

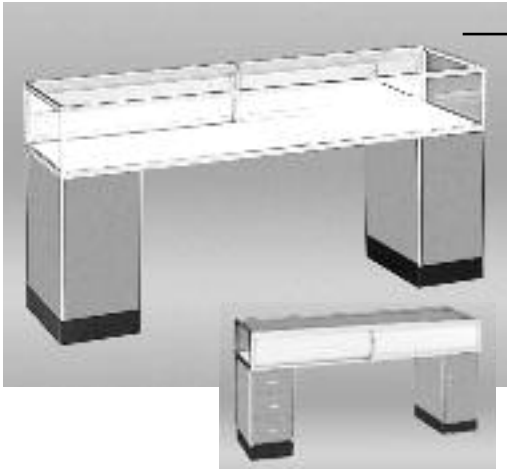
Any changes requested on orders in process subject to order change fee.



10"H Glass Display - 26"H Pedestal

Hexagonal Pedestal Case

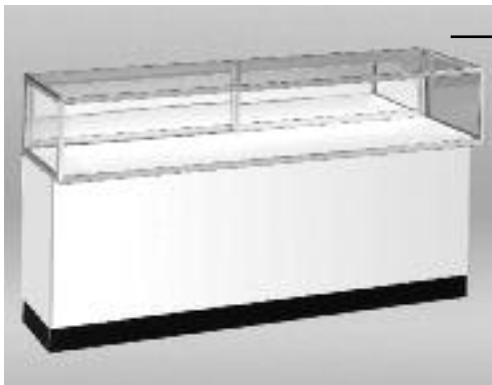
HP34S	HPL Laminate Base w/locking storage door	36"x34" on parallel edges
HP34	HPL Laminate Base; no storage base	36"x34" on parallel edges



10"H Glass Display - 20"H Pedestal - 4" Kick

Pedestal Jewelry Case Series

JPA2206P	Door both pedestals	34"x20"x70"
JPB2206P	Door pedestal right, 3 drawer pedestal left	34"x20"x70"
JPC2206P	3 drawer both pedestals	34"x20"x70"
JPA2206M	Door both pedestals	34"x20"x70"
JPB2206M	Door pedestal right, 3 drawer pedestal left	34"x20"x70"
JPC2206M	3 drawers both pedestals	34"x20"x70"
Modesty panel .....		



12"H Glass Display - 22"H Base - 4" Kick

Jewelry Showcases

JC1206P	Laminate Base, Laminated Hardboard Doors	38"x20"x70"
JC1205P	Laminate Base, Laminated Hardboard Doors	38"x20"x60"
JC1204P	Laminate Base, Laminated Hardboard Doors	38"x20"x48"
JC1206M	Laminate Base, Mirror Doors	38"x20"x70"
JC1205M	Laminate Base, Mirror Doors	38"x20"x60"
JC1204M	Laminate Base, Mirror Doors	38"x20"x48"

Flush Base 2200 Series .....

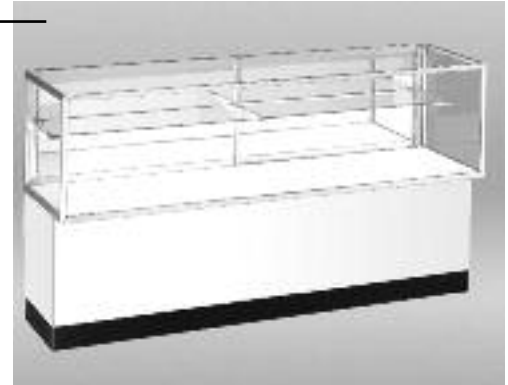
Open Rear Storage is Standard – storage doors, locks, interior adjustable shelves – see options.  
Self-Edge treatment with HPL available by quote.

**HALF VISION DISPLAY CASES**

Half Vision Display Cases

HC1206P	Laminate Base, Laminated Hardboard Doors	38"x20"x70"
HC1205P	Laminate Base, Laminated Hardboard Doors	38"x20"x60"
HC1204P	Laminate Base, Laminated Hardboard Doors	38"x20"x48"
HC1206M	Laminate Base, Mirror Doors	38"x20"x70"
HC1205M	Laminate Base, Mirror Doors	38"x20"x60"
HC1204M	Laminate Base, Mirror Doors	38"x20"x48"

Flush Base 2200 Series .....  
 Open Rear Storage is Standard – storage doors, locks, interior adjustable shelves – see options.  
 Self-Edge Corner treatment with HPL available by quote  
 Glass Shelves: 1 row 10" deep



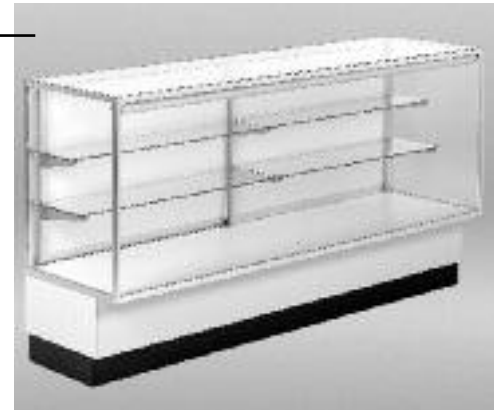
18"H Glass Display - 16"H Base - 4" Kick

**FULL VISION DISPLAY CASES**

Full Vision Case Series

BC1206P	Laminate Base, Laminated Hardboard Doors	38"x20"x70"
BC1205P	Laminate Base, Laminated Hardboard Doors	38"x20"x60"
BC1204P	Laminate Base, Laminated Hardboard Doors	38"x20"x48"
BC1206M	Laminate Base, Mirror Doors	38"x20"x70"
BC1205M	Laminate Base, Mirror Doors	38"x20"x60"
BC1204M	Laminate Base, Mirror Doors	38"x20"x48"

Flush Base 2200 Series .....  
 Open rear storage available by quote.  
 Self-Edge Corner treatment with HPL available by quote.  
 Glass Shelves: 1 row 8" deep, 1 row 10" deep

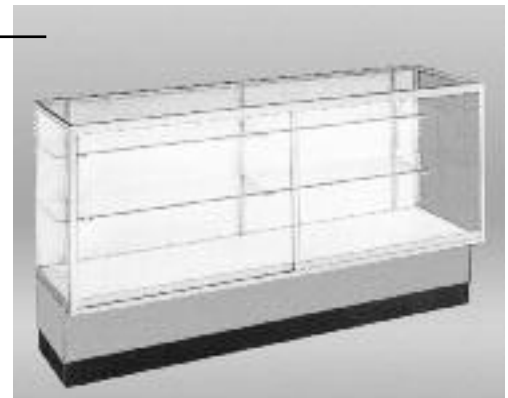


26"H Glass Display - 8"H Base - 4" Kick

Front Opening Case Series

FOBC1206P	Front Opening, Laminated Hardboard Back	38"x20"x70"
FOBC1205P	Front Opening, Laminated Hardboard Back	38"x20"x60"
FOBC1204P	Front Opening, Laminated Hardboard Back	38"x20"x48"
FOBC1206M	Front Opening, Mirror Back	38"x20"x70"
FOBC1205M	Front Opening, Mirror Back	38"x20"x60"
FOBC1204M	Front Opening, Mirror Back	38"x20"x48"

Flush Base 2200 Series .....  
 Self-Edge Corner treatment with HPL available by quote.  
 Glass Shelves: 1 row 8" deep, 1 row 10" deep



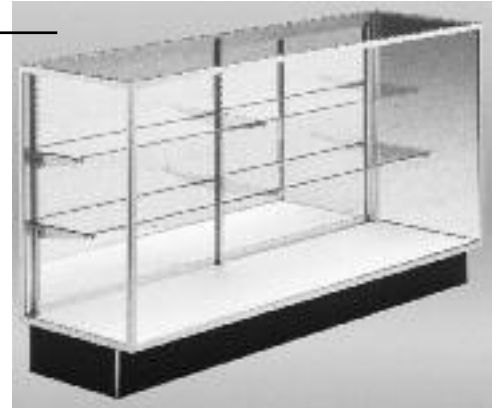
26"H Glass Display - 8"H Base - 4" Kick

**EXTRA VISION DISPLAY CASES**

Extra Vision Case Series

EV1206P	Laminate Base, Laminated Hardboard Doors	38"x20"x70"
EV1205P	Laminate Base, Laminated Hardboard Doors	38"x20"x60"
EV1204P	Laminate Base, Laminated Hardboard Doors	38"x20"x48"
EV1206M	Laminate Base, Mirror Doors	38"x20"x70"
EV1205M	Laminate Base, Mirror Doors	38"x20"x60"
EV1204M	Laminate Base, Mirror Doors	38"x20"x48"

Glass Shelves: 1 row 8" deep, 1 row 10" deep



32"H Glass Display - 6"H Kick

**CORNER DISPLAY CASES**

Corner Case Series

BC1200	Laminate Base
HC1200	Laminate Base
JC1200	Laminate Base
EV1200	Laminate Base
Flush Base 2200 Series	.....



Rear Access Corner Cases

BC1SQ34P	Laminate Base, Laminated Hardboard Doors	38"x20"x34"sq
BC1SQ34M	Laminate Base, Mirror Doors	38"x20"x34"sq"
HC1SQ34P	Laminate Base, Laminated Hardboard Doors	38"x20"x34"sq"
HC1SQ34M	Laminate Base, Mirror Doors	38"x20"x34"sq"
JC1SQ34P	Laminate Base, Laminated Hardboard Doors	38"x20"x34"sq"
JC1SQ34M	Laminate Base, Mirror Doors	38"x20"x34"sq"
EV1SQ34P	Laminate Base, Laminated Hardboard Doors	38"x20"x34"sq"
EV1SQ34M	Laminate Base, Mirror Doors	38"x20"x34"sq"
42" Square	.....	
51" Square	.....	
Flush Base 2200 Series	.....	

Self-Edge Corner treatment with HPL available by quote.



90 Degree Open Corner Sellers



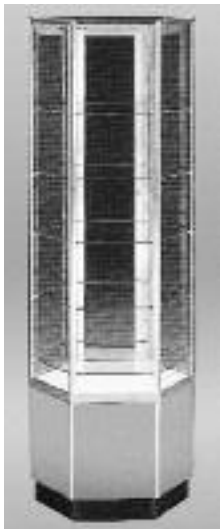
OSBC2200 Laminate Base, Glass Shelves

38"x20"x20"sq

26'H Display area - 8" Base - 4" Kick

SLIMLINE TOWER DISPLAY CASES

Slimline All Glass Series



Framed Door Shown



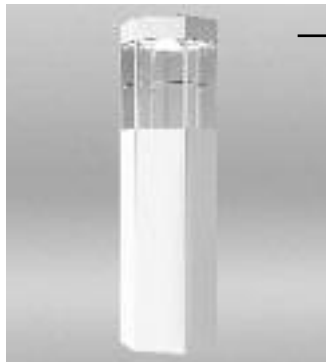
Framed Door Shown

- H24 Laminate Base, Stationary 80"x24"
- S20 Laminate Base, Stationary 80"x20"x20"
- Polished Brass and Polished Chrome Anodized Frame (per case) . . . . .
- 60"H Glass Display - 16"H Base - 4" Kick
- Framed door with lock priced.
- Frameless tempered glass door with lock available by quote.
- Cornice treatment available by quote.



Fineline Towers

FST16 Fineline Square Tower 75"x16"x16"  
 FHT20 Fineline Hex Tower 75"x20"  
 5"H Cornice - 51"H Glass Display - 19"H Base  
 HPL Laminate Base and Cornice  
 Square Tower has one spotlight. (50w per 20 halogen)  
 Hex Tower has two spotlights. (50w per 20 halogen)  
 Standard HPL Finishes – Black, Grey and White.  
 Other HPL Finishes available by quote.  
 Framing – Clear Brushed, Polished Chrome, Polished Brass,  
 Satin Black Anodized Aluminum.  
 LED Spot Light available



Museum Towers

FMST16 Fineline Museum Square Tower 70"x16"x16"  
 FMHT20 Fineline Museum Hex Tower 70"x20"  
 6"H Cornice - 16"H Glass Display - 48"H Base  
 HPL Laminate Base and Cornice  
 Square Tower has one spotlight. (50w per 20 halogen)  
 Hex Tower has two spotlights. (50w per 20 halogen)  
 Standard HPL Finishes – Black, Grey and White.  
 Other HPL Finishes available by quote.  
 Framing – Clear Brushed, Polished Chrome, Polished Brass,  
 Satin Black Anodized Aluminum.  
 LED Spot Light available



Elongated/Stretch Hex Tower

EVFLT36 Fineline Elongated/Stretch Hexagonal Tower  
 75"H x 20"D x 36"L  
 4" H Cornice  
 67" H Glass Display  
 4" H Base  
 4 Adjustable glass shelves  
 3 Spotlights (50w per 20 halogen)  
 HPL Laminate Base and Cornice-standard HPL  
 finishes-Black, White, Grey  
 Framing – Clear Brushed, Polished Chrome, Polished Brass,  
 Satin Black Anodized Aluminum. Other HPL finishes available by quote.  
 LED Spot Light available



Countertop Displays

Modular framing in rich black anodized aluminum, top and bottom panels in thermal fuse melamine, tempered exterior glass sides and door with keyed lock. Each style is available with 20W Xenon Cornice Light or Glass Top. A variety of custom frame and panel options are available upon request for quotation.  
 FTCS12G Rectangular Countertop - Glass Top  
 27"H x 12"D x 14"L  
 FTCS12L Rectangular Countertop - Light  
 27"H x 12"D x 14"L  
 FTCH14G Hex Countertop - Glass Top  
 27"H x 14" on parallel sides  
 FTCH14L Hex Countertop - Light  
 27"H x 14" on parallel sides

WALL DISPLAY CASES

Wall Cases - No Drawers

WU2186P	Laminated Hardboard Back	84"x18"x70"
WU2185P	Laminated Hardboard Back	84"x18"x60"
WU2184P	Laminated Hardboard Back	84"x18"x48"
WU2186M	Mirror Back	84"x18"x70"
WU2185M	Mirror Back	84"x18"x60"
WU2184M	Mirror Back	84"x18"x48"

Glass Shelves: 3 rows of 10" deep



48"H Glass Display - 36"H Base

Wall Cases - 2 Drawers

WU2186DP	Laminated Hardboard Back	84"x18"x70"
WU2185DP	Laminated Hardboard Back	84"x18"x60"
WU2184DP	Laminated Hardboard Back	84"x18"x48"
WU2186DM	Mirror Back	84"x18"x70"
WU2185DM	Mirror Back	84"x18"x60"
WU2184DM	Mirror Back	84"x18"x48"

Glass Shelves: 3 rows of 10" deep



48"H Glass Display - 36"H Base



Upright Display with LPL Base and Kick



UD2206P	Laminated Hardboard Back	72"x20"x70"
UD2205P	Laminated Hardboard Back	72"x20"x60"
UD2204P	Laminated Hardboard Back	72"x20"x48"
UD2206M	Mirror Back	72"x20"x70"
UD2205M	Mirror Back	72"x20"x60"
UD2204M	Mirror Back	72"x20"x48"
UD2206G	Clear Glass Back	72"x20"x70"
UD2205G	Clear Glass Back	72"x20"x60"
UD2204G	Clear Glass Back	72"x20"x48"

Self-Edge Corner treatment with HPL available by quote.

Cornice treatment available by quote.

Slatwall back available by quote.

Glass Shelves: 4 rows of 12" deep

60"H Glass Display - 8"H Base - 4"H Kick

Upright Aisle Display with Black LPL Base



UA2185P	Laminated Hardboard Back	54"x18"x60"
UA2184P	Laminated Hardboard Back	54"x18"x48"
UA2185M	Mirror Back	54"x18"x60"
UA2184M	Mirror Back	54"x18"x48"
UA2205P	Laminated Hardboard Back	54"x20"x60"
UA2204P	Laminated Hardboard Back	54"x20"x48"
UA2205M	Mirror Back	54"x20"x60"
UA2204M	Mirror Back	54"x20"x48"

Glass Shelves: 3 rows of 10" deep

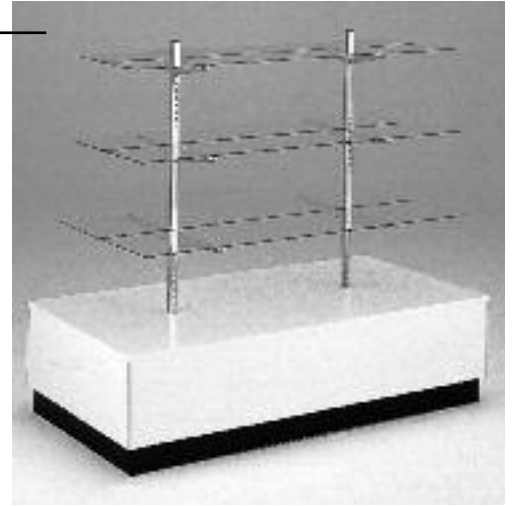
48"H Glass Display - 6"H Kick

**GONDOLAS**

Standard Gondola Series

GD2S3060 No Storage, Laminate Base 54"x30"x60"  
 Storage Doors/Drawers in base available by quote.

Clear Finish Hardware and Brackets. Brass available by quote.



**WRAP COUNTERS/ REGISTER STANDS**

Ledge Counter Series

LC1246 Laminate Sides and Front 42"x24"x70"  
 LC1245 Laminate Sides and Front 42"x24"x60"  
 LC1244 Laminate Sides and Front 42"x24"x48"

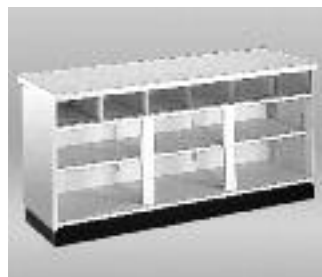
Price includes High Pressure Laminated Matte White Top, adjustable bag bins, one adjustable shelf.



Wrap Counter Series

WC1246 Laminate Sides and Front 34"x24"x70"  
 WC1245 Laminate Sides and Front 34"x24"x60"  
 WC1244 Laminate Sides and Front 34"x24"x48"

Price includes High Pressure Laminated Matte White Top, adjustable bag bins, one adjustable shelf. 34" Height meets ADA Requirements.





Flat Top Register Stands

RS2202FT Laminate Sides and Front; High Pressure Laminated Matte White Top 38"x20"x24"  
 Price includes one adjustable shelf.



Well Top Register Stands

RS2202WT Laminate Sides and Front; High Pressure Laminated Matte White Top 38"x20"x24"  
 Price includes one adjustable shelf.

DISPLAY TABLES



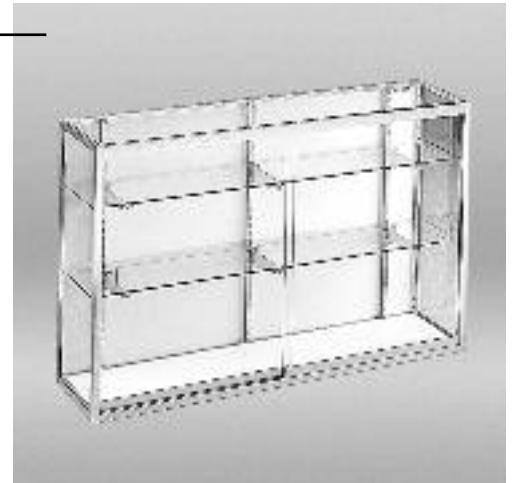
Display Tables

DT3305 Laminated outer surfaces, white laminate on inside. Folding legs are gloss black enamel. 34"x30"x60"

COUNTER DISPLAY CASES & ACCESSORIES

Utility Case Series

Size HxDxL	Laminated Hardboard or Clear Glass Back	Mirror Back	Size HxDxL	Laminated Hardboard or Clear Glass Back	Mirror Back
30"x12"x36"			30"x18"x36"		
36"x12"x36"			36"x18"x36"		
42"x12"x36"			42"x18"x36"		
48"x12"x36"			48"x18"x36"		
30"x12"x48"			30"x18"x48"		
36"x12"x48"			36"x18"x48"		
42"x12"x48"			42"x18"x48"		
48"x12"x48"			48"x18"x48"		

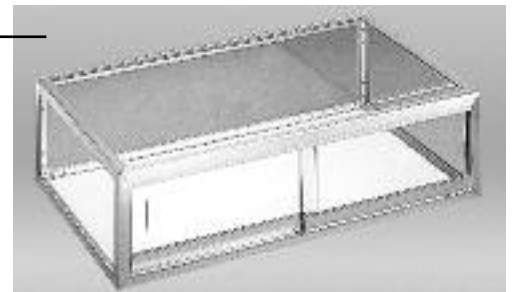


FC Series Counter Cases

FC1	No Glass Shelving	8"x18"x18"
FC2	No Glass Shelving	8"x18"x24"
FC3	No Glass Shelving	8"x18"x30"

Price includes cartoning.

NOTE: Lights are not available in these units.

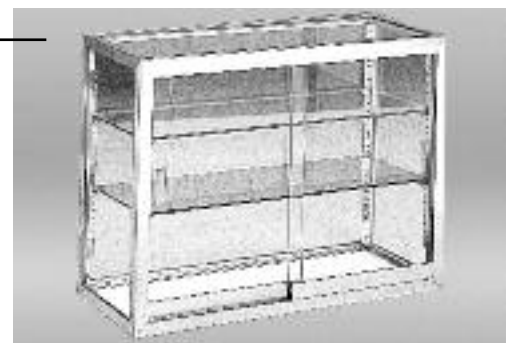


TC Series Counter Cases

TC1	Two Glass Shelves	18"x8"x18"
TC2	Two Glass Shelves	18"x8"x24"
TC3	Two Glass Shelves	18"x8"x30"
TC5	Two Glass Shelves	18"x10"x24"

Price includes cartoning.

NOTE: Lights are not available in these units.



Mirror Series

AM0205P	Alcove Mirror without stand; 2 mirror wings 18"x60"	20"x60"
FS0205P	Alcove Mirror with stand; 2 mirror wings 18"x60"	20"x60"
AF0185P	Aluminum framed single unit mirror	18"x60"
AF0205P	Aluminum framed single unit mirror	20"x60"
AF0225P	Aluminum framed single unit mirror	22"x60"
AF0245P	Aluminum framed single unit mirror	24"x60"

Price includes crating.

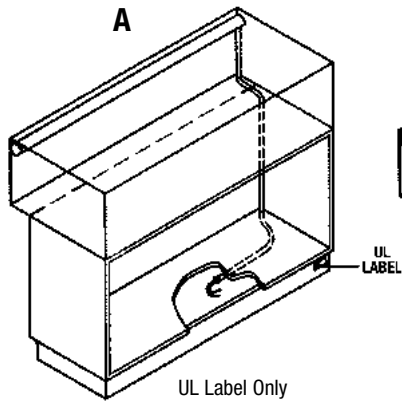




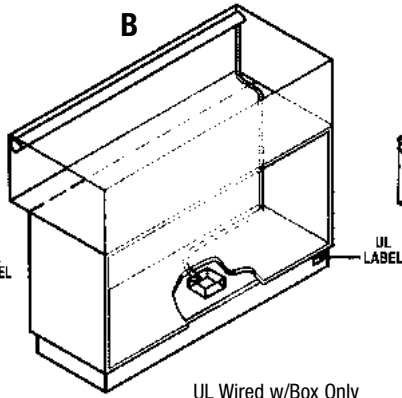
# Wired Cabinet Electrical Options

\*Check local code requirements for electrical wiring specifications.

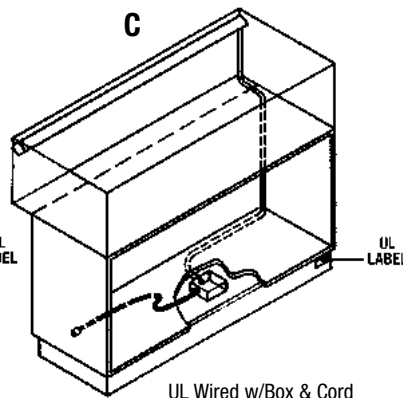
## Regu-Lite<sup>SM</sup> — Maxum-Lite<sup>SM</sup>



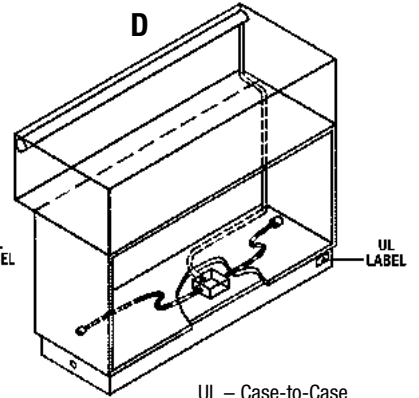
UL Label Only



UL Wired w/Box Only

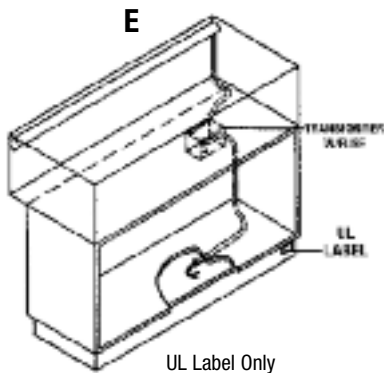


UL Wired w/Box & Cord

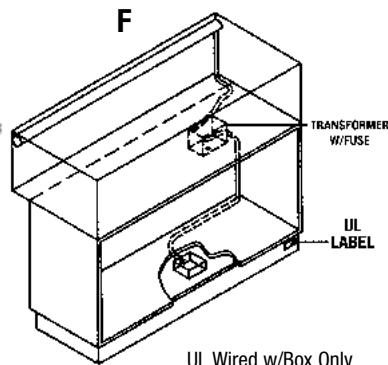


UL - Case-to-Case Wiring

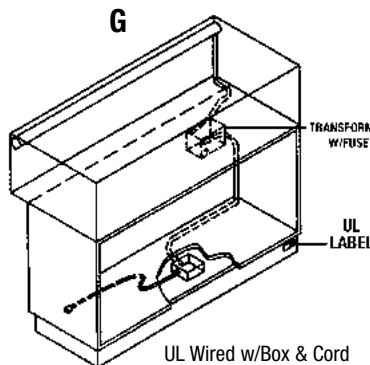
## Mini Flux LED



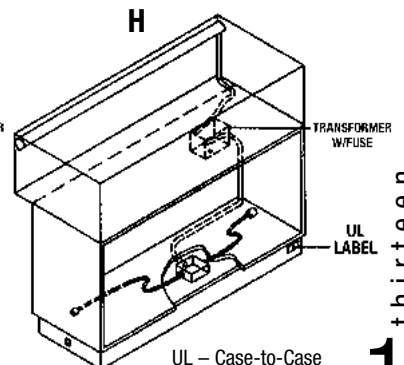
UL Label Only



UL Wired w/Box Only

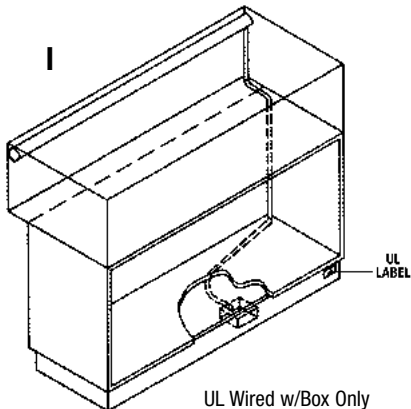


UL Wired w/Box & Cord

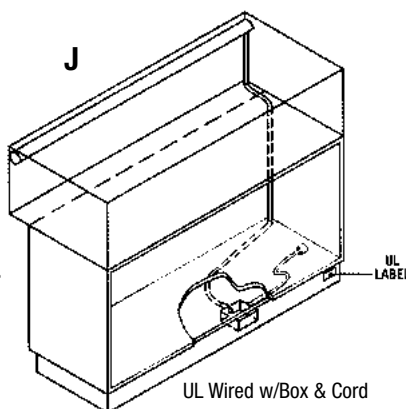


UL - Case-to-Case Wiring

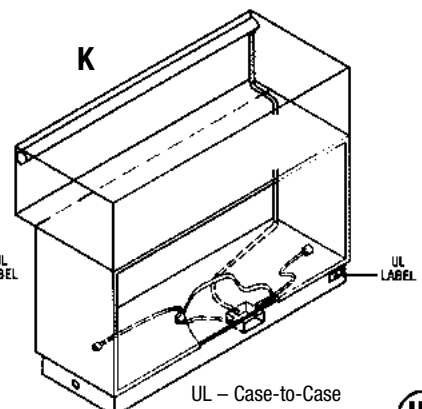
## Sabrelight<sup>TM</sup>/Sabrelight-Plus<sup>SM</sup>




UL Wired w/Box Only (Remote Ballast)



UL Wired w/Box & Cord (Remote Ballast)



UL - Case-to-Case Wiring (Remote Ballast)

 is a registered trademark of Underwriters Laboratories, Inc.

### Electrical Option Prices For Above

**Description**

- UL Wired Cabinet – pigtail (A,E) .....
- UL Wired Cabinet – junction box/ballast box (B, F, I,) (no switch) .....
- UL Wired Cabinet – 12" - 12-3 cord/straight plug (C, G, J) .....
- UL Wired Cabinet – Twist-Lock 20 amp case-to-case cord connect (D, H, K) .....
- Switch – added to above .....



# Listed Showcase Lighting Systems (installed in showcases with Lamps)

## REGU-LITE



Light Shell is 2 1/8" diameter

Our Regu-Lite<sup>SM</sup> system uses standard T-12 bi-pin fluorescent lamps. It is a self-contained system and does not require remote ballast/transformer. The Regu-Lite<sup>SM</sup> fixture is the most economical broad light illumination source we offer.

Regu-Lite (T-12 Fluorescent Lamp)  
 4' Self Contained .....  
 4' Self Contained – Upright Display .....  
 5' Self Contained .....  
 6' Self Contained .....

## MAXUM-LITE



The Maxum-Lite<sup>SM</sup> fixture uses state-of-the-art twin-tube compact fluorescent lamps. A self-contained system it offers our finest, brightest ambient light source. It is energy efficient, has excellent color rendition and each lamp is rated at a 10,000 hour life.

Maxum-Lite (13W, energy efficient, Twin Tube Compact Fluorescent) Self Contained  
 6' case .....  
 5' case .....  
 4' case .....

## SABRELIGHT



Light Shell is 1 3/8" diameter

The Sabrelight system using T-8 slim fluorescent lamps, either cool white or high output, offers a more compact profile for broad light illumination. Its elegant cylindrical shell is virtually invisible once installed from your customer's view. Both Sabrelight systems require a remote ballast secured in the kick or lower storage area of the showcase. T-5 lamping available by quote.

Sabrelight/CW T-8 (Remote Ballast)  
 72" .....  
 70" .....  
 60" .....  
 48" .....  
 Sabrelight Plus/High Output T-8 (Remote Ballast)  
 72" .....  
 70" .....  
 60" .....  
 48" .....

## MINI-FLUXED-LED



Light Shell is 5/8" diameter

The MINI-FLUX LED from Jahabow is an ultra-slim LED light source with a housing of 5/8" – it virtually disappears behind the Jahabow front rail of the showcase – Due to its MINI dimensions – it may also be incorporated in vertical, rear and stadium style applications. It is available in both 5650k (cool white).

Mini Flux LED  
 4' .....  
 5' .....  
 6' .....  
 Corner Case .....

## HALO-SPOT



Our Halo-Spot halogen or LED spotlight is the ideal lighting source for excellent illumination in upright displays, wall cases, towers and custom wood cases. Developed for its durability and value, these spotlights are UL Listed and have been designed with fixture cabinetry adaption in mind.

Halo-spot Halogen spotlight .....  
 50 watt par 20 lamp  
 LED spotlight .....  
 5000k, 7 watt, 500 lumens

# Optional Accessories

## Description

Sliding storage doors (1/4" Hardboard) w/upper & lower track	.....
Sliding storage doors (3/4" Board)	.....
Plunger locks installed	.....
T-Bolt Lock installed	.....
KeyMatic Brand lock installed	.....
Best Brand Lock installed	.....
Stainless Steel Security Channels (pair-installed)	.....
Wood grain panel ends (to replace glass ends)	.....
Adjustable Rear Storage Shelves for Jewelry and Half Vision Cases	.....
Mirror ends installed in showcase:	
Extra Vision Case (EV)	.....
Full Vision Case(BC)	.....
Half Case (HC)	.....
Jewelry Case (JC)	.....
Utility Case (UC)	.....
Upright Display Case (UD)	.....
Standard Drawers with Recessed Pulls/Locks not included/LPL Drawer fronts:	
Row of 2 drawers for 48", 60" and 70" cases	.....
Jewelry Case bases will accommodate up to three rows of drawers	
Half-Case bases will accommodate up to two rows of drawers	
Full Vision Case bases will accommodate only one row of drawers	
Custom Drawer Sizes, full extension drawer glides, custom pulls available by quote	
Polished Brass and Polished Chrome Anodized frame (per case)	.....

## JAHABOW, LLC LPL FINISHES

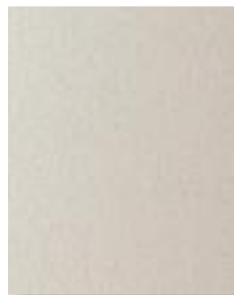
Single color LPL options are the same color on the underside.



Black  
(Matte Finish)



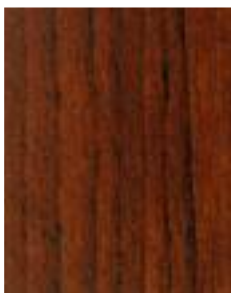
Dark Almond  
(Matte Finish)



Fashion Gray  
(Matte Finish)



Bright White  
(Matte Finish)



Victorian Cherry  
(Matte Finish)



Kensington Maple  
(Matte Finish)



Bannister Oak (\*\*)  
(Matte Finish)



Columbian Walnut  
(Matte Finish)



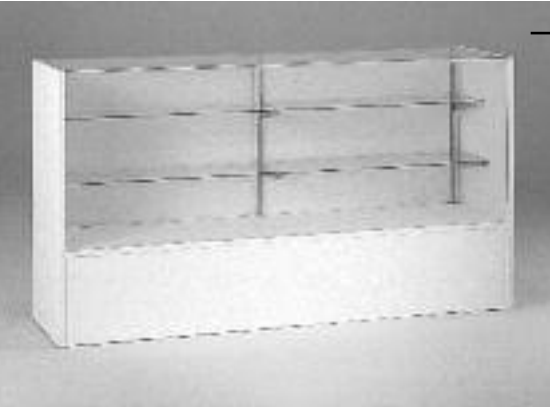
Antique White  
(Matte Finish)

The colors shown are printed reproductions only. For maximum color fidelity, request finish samples.  
Please call your Jahabow Sales Team to inquire about stock availability, price quotes or to inquire about custom options.  
Prices may vary by finish.



**Model No. Color Code Colors Description (HxDxL in inches) Price**

**FULL VISION SHOWCASES**



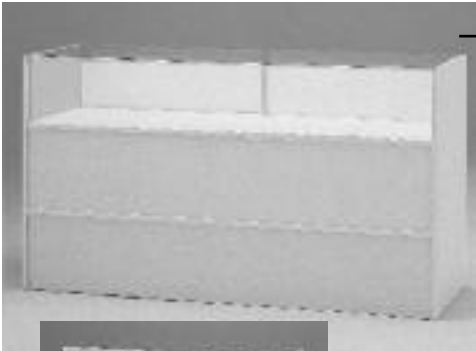
**Full Vision Showcases**

BC9184	B,I,E	Black, White, Grey	4' Full Vision Showcase	38"x18"x48"
BC9184	M	Maple	4' Full Vision Showcase	38"x18"x48"
BC9184	C	Cherry	4' Full Vision Showcase	38"x18"x48"
BC9185	B,I,E	Black, White, Grey	5' Full Vision Showcase	38"x18"x60"
BC9185	M	Maple	5' Full Vision Showcase	38"x18"x60"
BC9185	C	Cherry	5' Full Vision Showcase	38"x18"x60"
BC9186	B,I,E	Black, White, Grey	6' Full Vision Showcase	38"x18"x70"
BC9186	M	Maple	6' Full Vision Showcase	38"x18"x70"
BC9186	C	Cherry	6' Full Vision Showcase	38"x18"x70"

**Model No. Color Code Colors Description (HxDxL in inches) Price**

**JEWELRY OR 1/3RD VISION SHOWCASES**

page sixteen



**Jewelry Vision Showcases**

JC9184	B,I,E	Black, White, Grey	4' Jewelry	38"x18"x48"
JC9184	M	Maple	4' Jewelry	38"x18"x48"
JC9184	C	Cherry	4' Jewelry or	38"x18"x48"
JC9185	B,I,E	Black, White, Grey	5' Jewelry	38"x18"x60"
JC9185	M	Maple	5' Jewelry	38"x18"x60"
JC9185	C	Cherry	5' Jewelry	38"x18"x60"
JC9186	B,I,E	Black, White, Grey	6' Jewelry	38"x18"x70"
JC9186	M	Maple	6' Jewelry	38"x18"x70"
JC9186	C	Cherry	6' Jewelry	38"x18"x70"



Clerk Side

**Model No. Color Code Colors Description (HxDxL in inches) Price**

**HALF VISION SHOWCASES**



**Half Vision Showcases**

HC9184	B,I,E	Black, White, Grey	4' Half Vision Showcase	38"x18"x48"
HC9184	M	Maple	4' Half Vision Showcase	38"x18"x48"
HC9184	C	Cherry	4' Half Vision Showcase	38"x18"x48"
HC9185	B,I,E	Black, White, Grey	5' Half Vision Showcase	38"x18"x60"
HC9185	M	Maple	5' Half Vision Showcase	38"x18"x60"
HC9185	C	Cherry	5' Half Vision Showcase	38"x18"x60"
HC9186	B,I,E	Black, White, Grey	6' Half Vision Showcase	38"x18"x70"
HC9186	M	Maple	6' Half Vision Showcase	38"x18"x70"
HC9186	C	Cherry	6' Half Vision Showcase	38"x18"x70"



Clerk Side

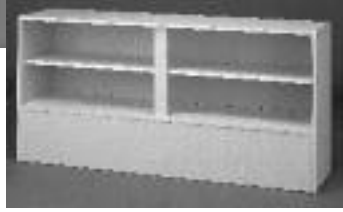


**Model No. Color Code Colors Description (HxDxL in inches) Price**

**WRAP COUNTERS**

Wrap Counters

WC9184	B,I,E	Black, White, Grey	4' Wrap Counter	34"x18"x48"
WC9184	M	Maple	4' Wrap Counter	34"x18"x48"
WC9184	C	Cherry	4' Wrap Counter	34"x18"x48"
WC9185	B,I,E	Black, White, Grey	5' Wrap Counter	34"x18"x60"
WC9185	M	Maple	5' Wrap Counter	34"x18"x60"
WC9185	C	Cherry	5' Wrap Counter	34"x18"x60"
WC9186	B,I,E	Black, White, Grey	6' Wrap Counter	34"x18"x70"
WC9186	M	Maple	6' Wrap Counter	34"x18"x70"
WC9186	C	Cherry	6' Wrap Counter	34"x18"x70"



Clerk Side

**Model No. Color Code Colors Description (HxDxL in inches) Price**

**WALL UNITS**

Wall Units

WU9184P	B,I,E	Black, White, Grey	4' Wall Unit	84"x18"x48"
WU9184P	M	Maple	4' Wall Unit	84"x18"x48"
WU9184P	C	Cherry	4' Wall Unit	84"x18"x48"



**Model No. Color Code Colors Description (HxDxL in inches) Price**

**UPRIGHT DISPLAYS**

Upright Displays - Panel Back

UD9184P	B,I,E	Black, White, Grey	4' Upright Display - Panel "P", Back	72"x18"x48"
UD9184P	M	Maple	4' Upright Display - Panel "P", Back	72"x18"x48"
UD9184P	C	Cherry	4' Upright Display - Panel "P", Back	72"x18"x48"



Upright Display - Panel Back

Model No. Color Code Colors Description (HxDxL in inches) Price

**UPRIGHT DISPLAYS CONTINUED**



Upright Display - Glass Back

Upright Display - Glass Back

UD9184G	B,I,E	Black, White, Grey	4' Upright Display - Glass "G", Back	72"x18"x48"
UD9184G	M	Maple	4' Upright Display - Glass "G", Back	72"x18"x48"
UD9184G	C	Cherry	4' Upright Display - Glass "G", Back	72"x18"x48"

Upright Display - Mirror Back (not shown)

UD9184M	B,I,E	Black, White, Grey	4' Upright Display - Mirror "M", Back	72"x18"x48"
UD9184M	M	Maple	4' Upright Display - Mirror "M", Back	72"x18"x48"
UD9184M	C	Cherry	4' Upright Display - Mirror "M", Back	72"x18"x48"

Model No. Color Code Colors Description (HxDxL in inches) Price

**CORNER FILLERS/SELLERS**



90 Degree Corner Filler  
Customer Side

90 Degree Corner Fillers

CFBC9180	B,I,E	Black, White, Grey	90 Degree Corner Filler	38"x18"
CFBC9180	M	Maple	90 Degree Corner Filler	38"x18"
CFBC9180	C	Cherry	90 Degree Corner Filler	38"x18"

90 Degree Open Corner Sellers



90 Degree Open Corner Seller

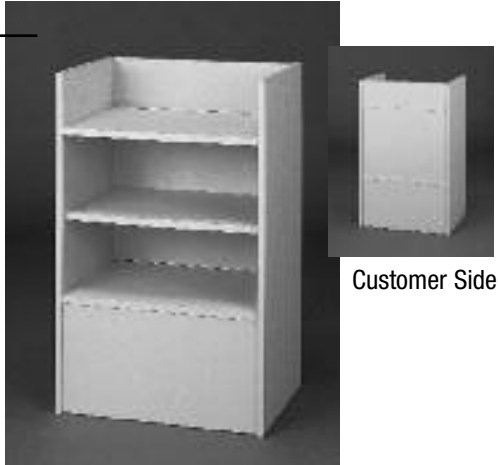
OSBC9180	B,I,E	Black, White, Grey	90 Degree Open Corner Seller	38"x18"
OSBC9180	M	Maple	90 Degree Open Corner Seller	38"x18"
OSBC9180	C	Cherry	90 Degree Open Corner Seller	38"x18"

**Model No. Color Code Colors Description (HxDxL in inches) Price**

**REGISTER STANDS**

Register Stands-Well Top

RS9182WT	B,I,E	Black, White, Grey	Register Stand - Well-Top	38"x18"x24"
RS9182WT	M	Maple	Register Stand - Well-Top	38"x18"x24"
RS9182WT	C	Cherry	Register Stand - Well-Top	38"x18"x24"



Register Stand - Well Top  
Clerk Side

Register Stands-Flat Top

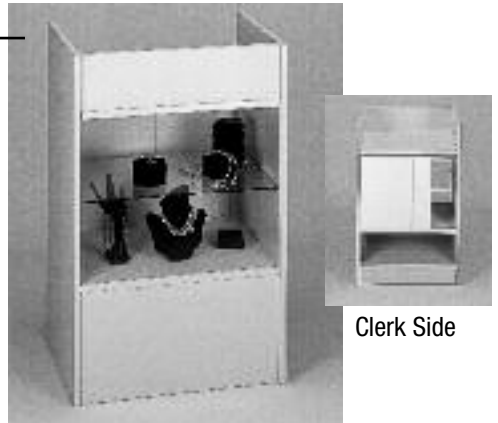
RS9182FT	B,I,E	Black, White, Grey	Register Stand - Flat-Top	38"x18"x24"
RS9182FT	M	Maple	Register Stand - Flat-Top	38"x18"x24"
RS9182FT	C	Cherry	Register Stand - Flat-Top	38"x18"x24"



Register Stand - Flat Top  
Clerk Side

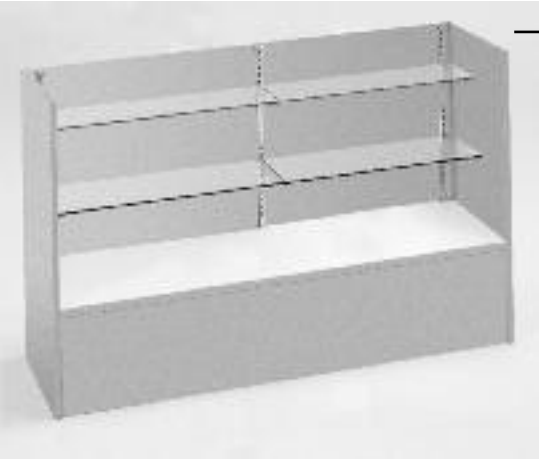
Register Stands/Showcase Combo

RC9182WT	B,I,E	Black, White, Grey	Register Stand/ Showcase Combo	38"x18"x24"
RC9182WT	M	Maple	Register Stand/ Showcase Combo	38"x18"x24"
RC9182WT	C	Cherry	Register Stand/ Showcase Combo	38"x18"x24"



Register Stand /Showcase  
Combo Customer Side

**Model No. Color Code Colors Description (HxDxL in inches) Price**  
**OPEN SELLERS**



**Open Sellers**

OSBC9184	B,I,E	Black, White, Grey	4' Open Seller	38"x18"x48"
OSBC9184	M	Maple	4' Open Seller	38"x18"x48"
OSBC9184	C	Cherry	4' Open Seller	38"x18"x48"
OSBC9186	B,I,E	Black, White, Grey	6' Open Seller	38"x18"x70"
OSBC9186	M	Maple	6' Open Seller	38"x18"x70"
OSBC9186	C	Cherry	6' Open Seller	38"x18"x70"

**Model No. Color Code Colors Description (HxDxL in inches) Price**  
**ISLAND GONDOLAS**



**Island Gondolas**

GD9305	B,I,E	Black, White, Grey	Island Gondola	54"x30"x60"
GD9305	M	Maple	Island Gondola	54"x30"x60"
GD9305	C	Cherry	Island Gondola	54"x30"x60"

**Model No. Description Price**  
**FLUORESCENT LIGHTS**



**Fluorescent Lights**

9000LT4	4' Fluorescent Light
9000LT5	5' Fluorescent Light
9000LT6	6' Fluorescent Light